

# FAN7392

## High-Current, High- and Low-Side, Gate-Drive IC

### Features

- Floating Channel for Bootstrap Operation to +600V
- 3A/3A Sourcing/Sinking Current Driving Capability
- Common-Mode dv/dt Noise Canceling Circuit
- 3.3V Logic Compatible
- Separate Logic Supply ( $V_{DD}$ ) Range from 3.3V to 20V
- Under-Voltage Lockout for  $V_{CC}$  and  $V_{BS}$
- Cycle-by-Cycle Edge-Triggered Shutdown Logic
- Matched Propagation Delay for Both Channels
- Outputs In-phase with Input Signals
- Available in 14-DIP and 16-SOP (Wide) Packages

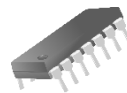
### Applications

- High-Speed Power MOSFET and IGBT Gate Driver
- Server Power Supply
- Uninterrupted Power Supply (UPS)
- Telecom System Power Supply
- Distributed Power Supply
- Motor Drive Inverter

### Description

The FAN7392 is a monolithic high- and low-side gate drive IC, that can drive high-speed MOSFETs and IGBTs that operate up to +600V. It has a buffered output stage with all NMOS transistors designed for high pulse current driving capability and minimum cross-conduction. Fairchild's high-voltage process and common-mode noise canceling techniques provide stable operation of the high-side driver under high dv/dt noise circumstances. An advanced level-shift circuit offers high-side gate driver operation up to  $V_S=-9.8V$  (typical) for  $V_{BS}=15V$ . Logic inputs are compatible with standard CMOS or LSTTL output, down to 3.3V logic. The UVLO circuit prevents malfunction when  $V_{CC}$  and  $V_{BS}$  are lower than the specified threshold voltage. The high-current and low-output voltage drop feature makes this device suitable for half- and full-bridge inverters, like switching-mode power supply and high-power DC-DC converter applications.

14-PDIP



16-SOP



### Ordering Information

Part Number	Operating Temperature Range	Package	Packing Method
FAN7392N	-40°C to +125°C	14-PDIP	Tube
FAN7392M		16-SOP	Tube
FAN7392MX			Tape and Reel

Typical Application Diagrams

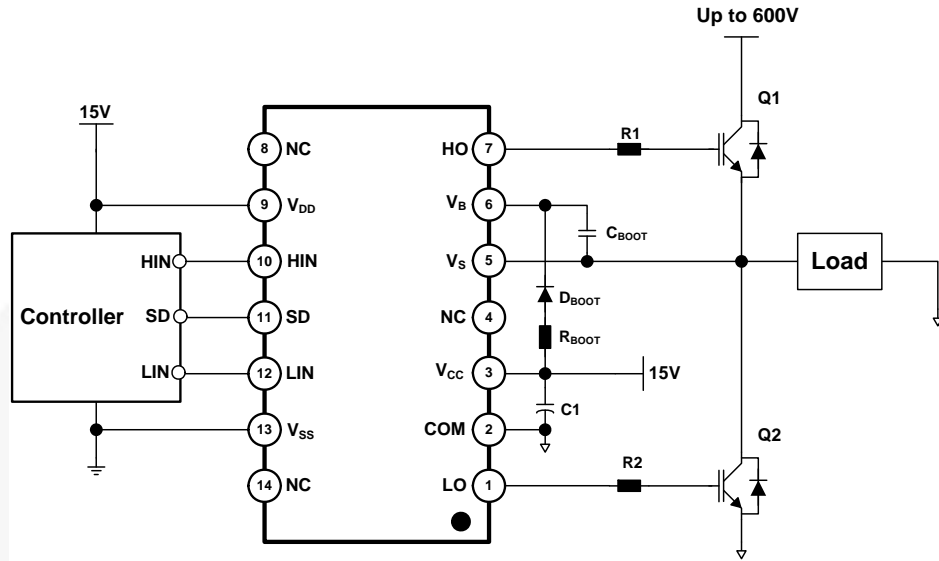


Figure 1. Typical Application Circuit (Referenced 14-DIP)

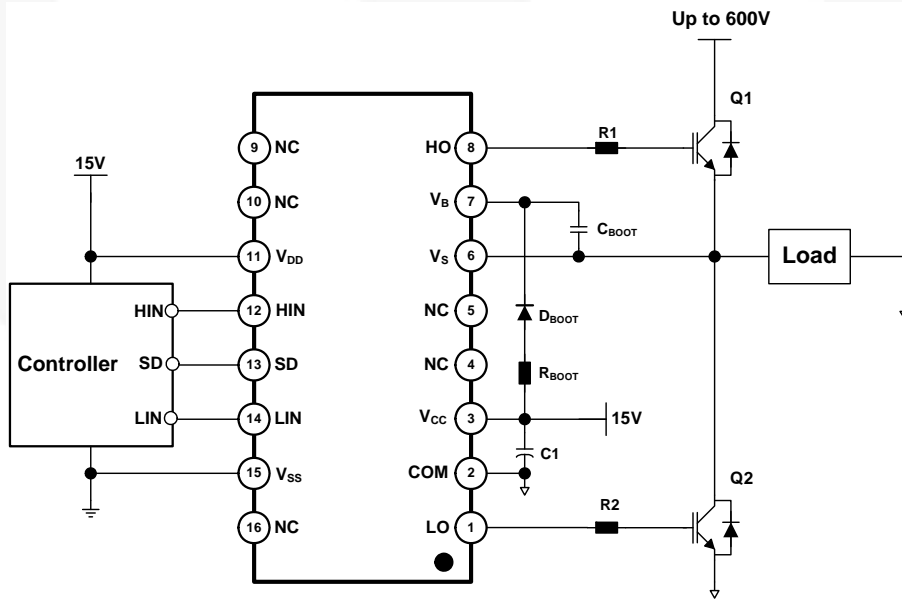


Figure 2. Typical Application Circuit (Referenced 16-SOP)

Internal Block Diagram

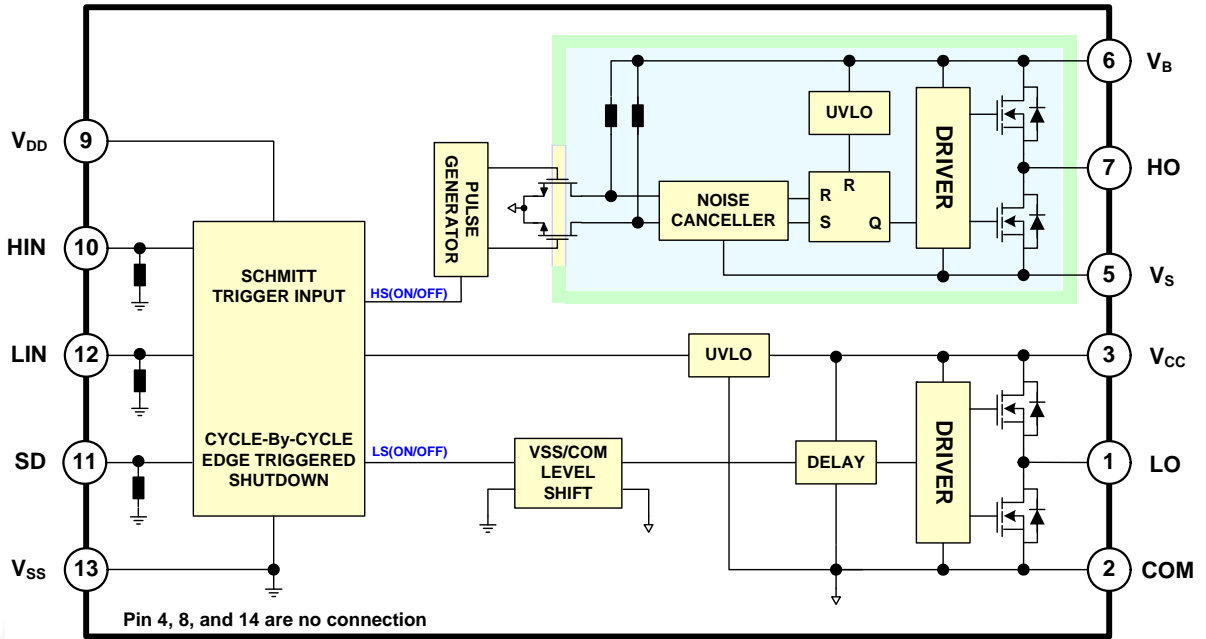


Figure 3. Functional Block Diagram (Referenced 14-Pin)

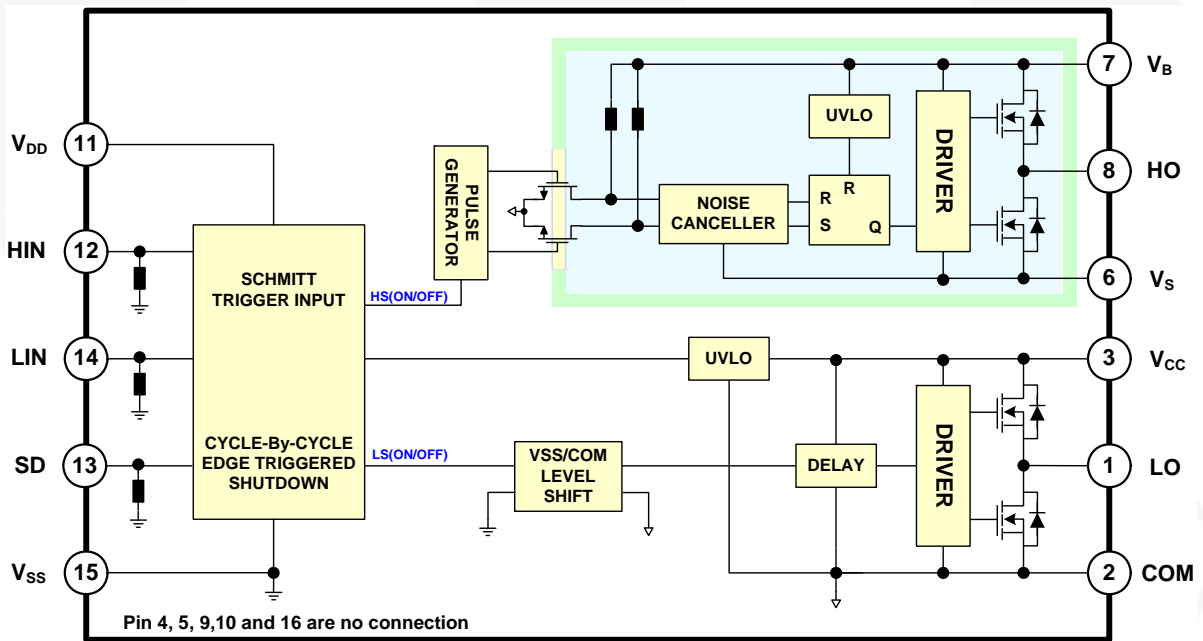


Figure 4. Functional Block Diagram (Referenced 16-SOP)

## Pin Configuration

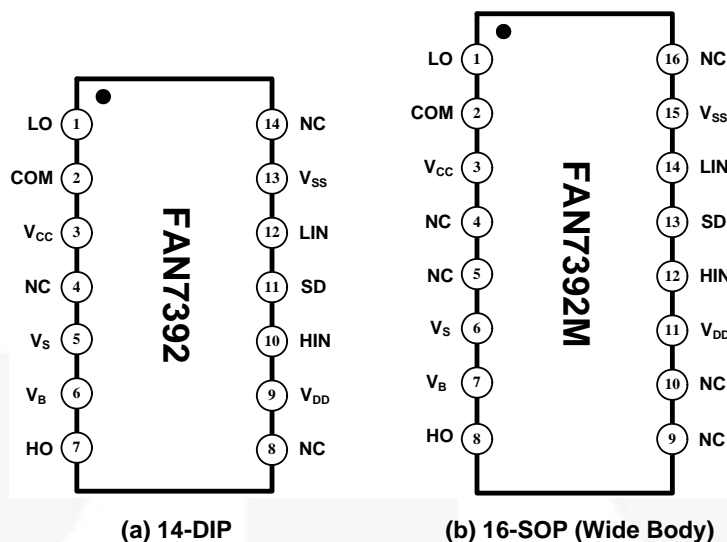


Figure 5. Pin Configurations (Top View)

## Pin Definitions

14-Pin	16-Pin	Name	Description
1	1	LO	Low-Side Driver Output
2	2	COM	Low-Side Return
3	3	V <sub>CC</sub>	Low-Side Supply Voltage
5	6	V <sub>S</sub>	High-Voltage Floating Supply Return
6	7	V <sub>B</sub>	High-Side Floating Supply
7	8	HO	High-Side Driver Output
9	11	V <sub>DD</sub>	Logic Supply Voltage
10	12	HIN	Logic Input for High-Side Gate Driver Output
11	13	SD	Logic Input for Shutdown Function
12	14	LIN	Logic Input for Low-Side Gate Driver Output
13	15	V <sub>SS</sub>	Logic Ground
4,8,14	4, 5, 9, 10, 16	NC	No Connect

## Absolute Maximum Ratings

Stresses exceeding the absolute maximum ratings may damage the device. The device may not function or be operable above the recommended operating conditions and stressing the parts to these levels is not recommended. In addition, extended exposure to stresses above the recommended operating conditions may affect device reliability. The absolute maximum ratings are stress ratings only.  $T_A=25^{\circ}\text{C}$  unless otherwise specified.

Symbol	Characteristics	Min.	Max.	Unit
$V_B$	High-Side Floating Supply Voltage	-0.3	625.0	V
$V_S$	High-Side Floating Offset Voltage	$V_B-25.0$	$V_B+0.3$	V
$V_{HO}$	High-Side Floating Output Voltage	$V_S-0.3$	$V_B+0.3$	V
$V_{CC}$	Low-Side Supply Voltage	-0.3	25.0	V
$V_{LO}$	Low-Side Floating Output Voltage	-0.3	$V_{CC}+0.3$	V
$V_{DD}$	Logic Supply Voltage	-0.3	$V_{SS}+25.0$	V
$V_{SS}$	Logic Supply Offset Voltage	$V_{CC}-25.0$	$V_{CC}+0.3$	V
$V_{IN}$	Logic Input Voltage (HIN, LIN and SD)	$V_{SS}-0.3$	$V_{DD}+0.3$	V
$dV_S/dt$	Allowable Offset Voltage Slew Rate		$\pm 50$	V/ns
$P_D$	Power Dissipation <sup>(1, 2, 3)</sup>	14-PDIP	1.6	W
		16-SOP	1.3	
$\theta_{JA}$	Thermal Resistance	14-PDIP	75	$^{\circ}\text{C/W}$
		16-SOP	95	
$T_J$	Maximum Junction Temperature		+150	$^{\circ}\text{C}$
$T_{STG}$	Storage Temperature	-55	+150	$^{\circ}\text{C}$

### Notes:

- Mounted on 76.2 x 114.3 x 1.6mm PCB (FR-4 glass epoxy material).
- Refer to the following standards:  
 JESD51-2: Integral circuits thermal test method environmental conditions, natural convection; and  
 JESD51-3: Low effective thermal conductivity test board for leaded surface-mount packages.
- Do not exceed power dissipation ( $P_D$ ) under any circumstances.

## Recommended Operating Conditions

The Recommended Operating Conditions table defines the conditions for actual device operation. Recommended operating conditions are specified to ensure optimal performance to the datasheet specifications. Fairchild does not recommend exceeding them or designing to absolute maximum ratings.

Symbol	Parameter	Min.	Max.	Unit
$V_B$	High-Side Floating Supply Voltage	$V_S+10$	$V_S+20$	V
$V_S$	High-Side Floating Supply Offset Voltage	$6-V_{CC}$	600	V
$V_{HO}$	High-Side Output Voltage	$V_S$	$V_B$	V
$V_{CC}$	Low-Side Supply Voltage	10	20	V
$V_{LO}$	Low-Side Output Voltage	0	$V_{CC}$	V
$V_{DD}$	Logic Supply Voltage	$V_{SS}+3$	$V_{SS}+20$	V
$V_{SS}$	Logic Supply Offset Voltage	-5	5	V
$V_{IN}$	Logic Input Voltage	$V_{SS}$	$V_{DD}$	V
$T_A$	Operating Ambient Temperature	-40	+125	$^{\circ}\text{C}$

## Electrical Characteristics

$V_{BIAS}(V_{CC}, V_{BS}, V_{DD})=15.0V$ ,  $V_{SS}=COM=0V$  and  $T_A=25^\circ C$ , unless otherwise specified. The  $V_{IH}$ ,  $V_{IL}$ , and  $I_{IN}$  parameters are referenced to  $V_{SS}$  and are applicable to the respective input leads: HIN, LIN, and SD. The  $V_O$  and  $I_O$  parameters are referenced to  $V_S$  and COM and are applicable to the respective output leads: HO and LO.

Symbol	Characteristics	Test Condition	Min.	Typ.	Max.	Unit
<b>Low-Side Power Supply Section</b>						
$I_{QCC}$	Quiescent $V_{CC}$ Supply Current	$V_{IN}=0V$ or $V_{DD}$		40	80	$\mu A$
$I_{QDD}$	Quiescent $V_{DD}$ Supply Current	$V_{IN}=0V$ or $V_{DD}$			10	$\mu A$
$I_{PCC}$	Operating $V_{CC}$ Supply Current	$f_{IN}=20kHz$ , rms, $V_{IN}=15V_{PP}$		430		$\mu A$
$I_{PDD}$	Operating $V_{DD}$ Supply Current	$f_{IN}=20kHz$ , rms, $V_{IN}=15V_{PP}$		300		$\mu A$
$I_{SD}$	Shutdown Supply Current	$S_D=V_{DD}$		120		$\mu A$
$V_{CCUV+}$	$V_{CC}$ Supply Under-Voltage Positive-Going Threshold Voltage	$V_{IN}=0V$ , $V_{CC}=\text{Sweep}$	7.7	8.8	9.9	V
$V_{CCUV-}$	$V_{CC}$ Supply Under-Voltage Negative-Going Threshold Voltage	$V_{IN}=0V$ , $V_{CC}=\text{Sweep}$	7.3	8.4	9.5	V
$V_{CCUVH}$	$V_{CC}$ Supply Under-Voltage Lockout Hysteresis Voltage	$V_{IN}=0V$ , $V_{CC}=\text{Sweep}$		0.4		V
<b>Bootstrapped Supply Section</b>						
$I_{QBS}$	Quiescent $V_{BS}$ Supply Current	$V_{IN}=0V$ or $V_{DD}$		60	130	$\mu A$
$I_{PBS}$	Operating $V_{BS}$ Supply Current	$f_{IN}=20kHz$ , rms value		500		$\mu A$
$V_{BSUV+}$	$V_{BS}$ Supply Under-Voltage Positive-Going Threshold Voltage	$V_{IN}=0V$ , $V_{BS}=\text{Sweep}$	7.7	8.8	9.9	V
$V_{BSUV-}$	$V_{BS}$ Supply Under-Voltage Negative-Going Threshold Voltage	$V_{IN}=0V$ , $V_{BS}=\text{Sweep}$	7.3	8.4	9.5	V
$V_{BSUVH}$	$V_{BS}$ Supply Under-Voltage Lockout Hysteresis Voltage	$V_{IN}=0V$ , $V_{BS}=\text{Sweep}$		0.4		V
$I_{LK}$	Offset Supply Leakage Current	$V_B=V_S=600V$			50	$\mu A$
<b>Input Logic Section (HIN, LIN, and SD)</b>						
$V_{IH}$	Logic "1" Input Threshold Voltage	$V_{DD}=3V$	2.4			V
		$V_{DD}=15V$	9.5			V
$V_{IL}$	Logic "0" Input Threshold Voltage	$V_{DD}=3V$			0.8	V
		$V_{DD}=15V$			4.5	V
$I_{IN+}$	Logic Input High Bias Current	$V_{IN}=V_{DD}$		20	40	$\mu A$
$I_{IN-}$	Logic Input Low Bias Current	$V_{IN}=0V$			3	$\mu A$
$R_{IN}$	Logic Input Pull-Down Resistance		375	750		$K\Omega$
<b>Gate Driver Output Section</b>						
$V_{OH}$	High-Level Output Voltage ( $V_{BIAS} - V_O$ )	No Load ( $I_O=0A$ )			1.5	V
$V_{OL}$	Low-Level Output Voltage	No Load ( $I_O=0A$ )			200	mV
$I_{O+}$	Output High, Short-Circuit Pulsed Current <sup>(4)</sup>	$V_O=0V$ , $PW \leq 10\mu s$	2.5	3.0		A
$I_{O-}$	Output Low, Short-Circuit Pulsed Current <sup>(4)</sup>	$V_O=15V$ , $PW \leq 10\mu s$	2.5	3.0		A
$V_{SS}/COM$	$V_{SS}-COM/COM-V_{SS}$ Voltage Endurability		-5.0		5.0	V
$-V_S$	Allowable Negative $V_S$ Pin Voltage for HIN Signal Propagation to HO			-9.8	-7.0	V

## Dynamic Electrical Characteristics

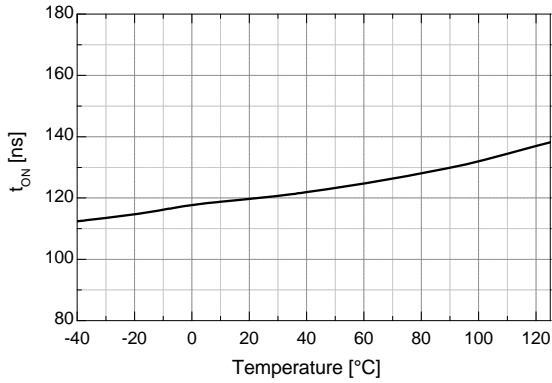
$V_{BIAS}(V_{CC}, V_{BS}, V_{DD})=15.0V$ ,  $V_{SS}=COM=0V$ ,  $C_{LOAD}=1000pF$ ,  $T_A=25^{\circ}C$ , unless otherwise specified.

Symbol	Parameter	Conditions	Min.	Typ.	Max.	Unit
$t_{on}$	Turn-On Propagation Delay Time	$V_S=0V$		130	180	ns
$t_{off}$	Turn-Off Propagation Delay Time	$V_S=0V$		150	200	ns
$t_{sd}$	Shutdown propagation Delay Time <sup>(4)</sup>			130	180	ns
$t_r$	Turn-On Rise Time			25	50	ns
$t_f$	Turn-Off Fall Time			20	45	ns
MT	Delay Matching, HO & LO Turn-On/Off				35	ns

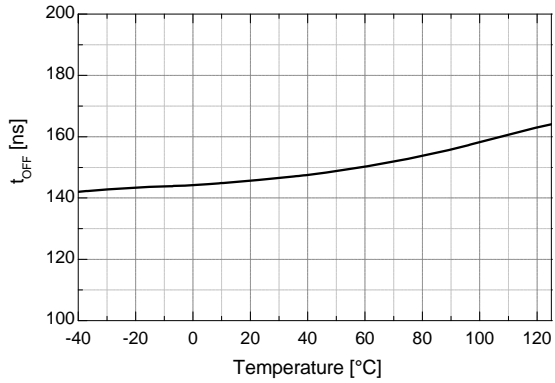
### Note:

4. These parameters guaranteed by design.

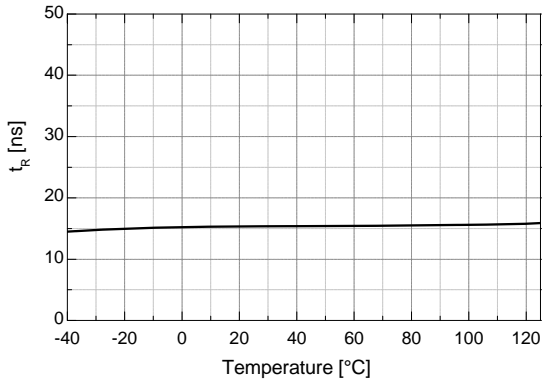
## Typical Characteristics



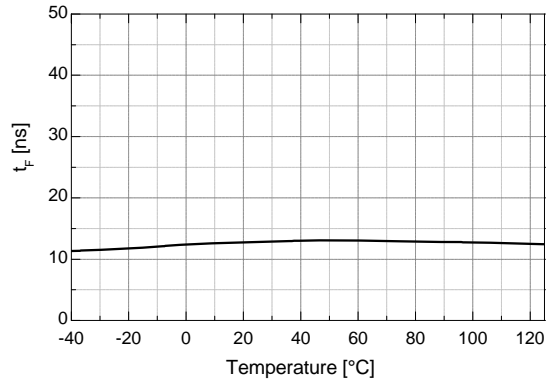
**Figure 6. Turn-On Propagation Delay vs. Temperature**



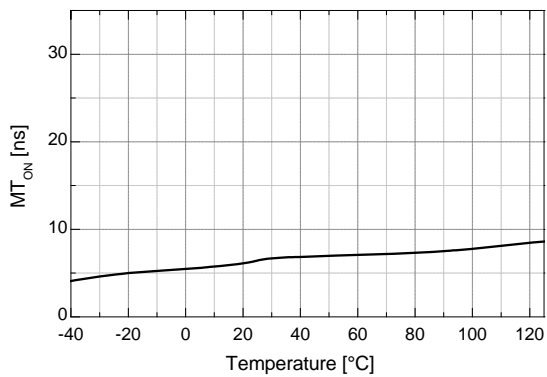
**Figure 7. Turn-Off Propagation Delay vs. Temperature**



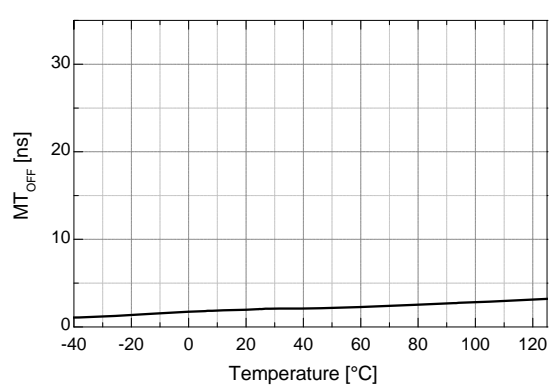
**Figure 8. Turn-On Rise Time vs. Temperature**



**Figure 9. Turn-Off Fall Time vs. Temperature**



**Figure 10. Turn-On Delay Matching vs. Temperature**



**Figure 11. Turn-Off Delay Matching vs. Temperature**



Typical Characteristics (Continued)

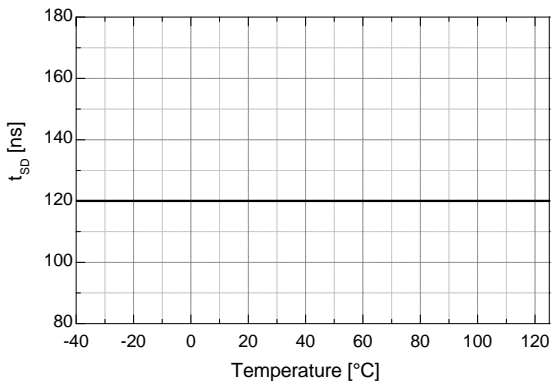


Figure 12. Shutdown Propagation Delay vs. Temperature

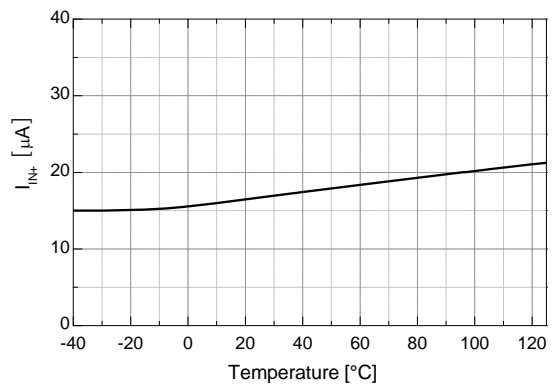


Figure 13. Logic Input High Bias Current vs. Temperature

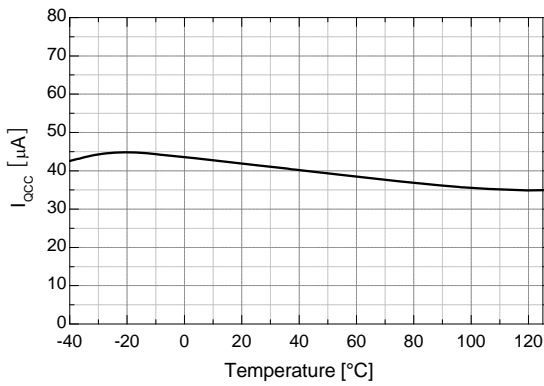


Figure 14. Quiescent  $V_{CC}$  Supply Current vs. Temperature

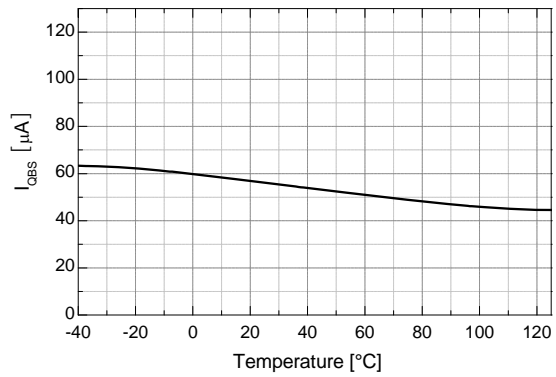


Figure 15. Quiescent  $V_{BS}$  Supply Current vs. Temperature

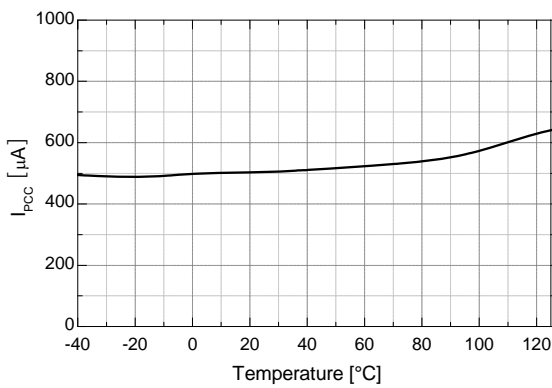


Figure 16. Operating  $V_{CC}$  Supply Current vs. Temperature

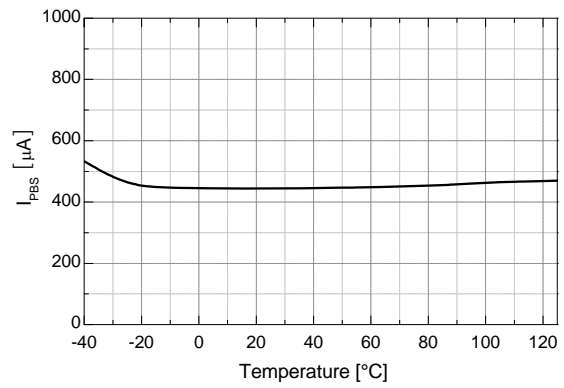


Figure 17. Operating  $V_{BS}$  Supply Current vs. Temperature

Typical Characteristics (Continued)

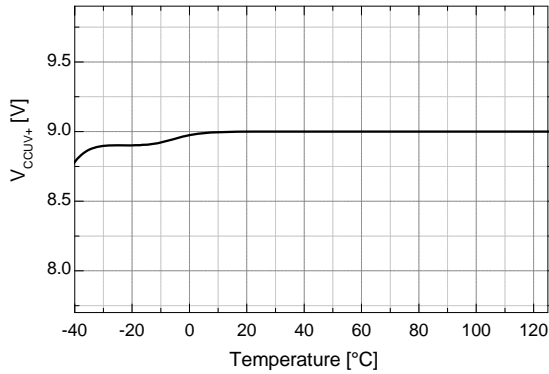


Figure 18. V<sub>CC</sub> UVLO+ vs. Temperature

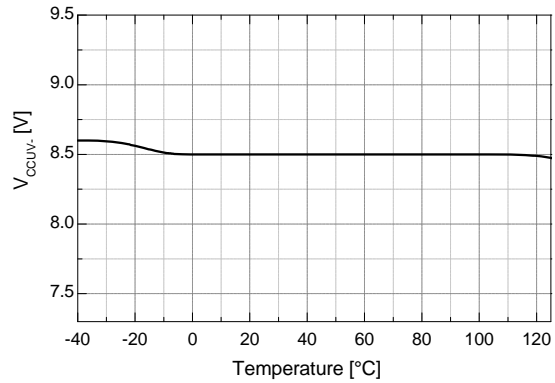


Figure 19. V<sub>CC</sub> UVLO- vs. Temperature

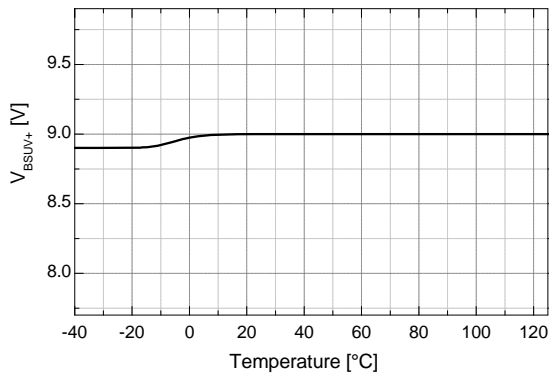


Figure 20. V<sub>BS</sub> UVLO+ vs. Temperature

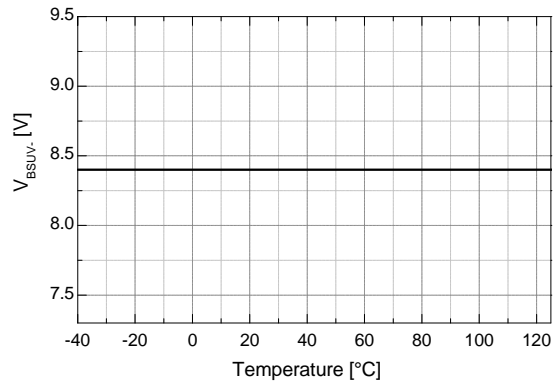


Figure 21. V<sub>BS</sub> UVLO- vs. Temperature

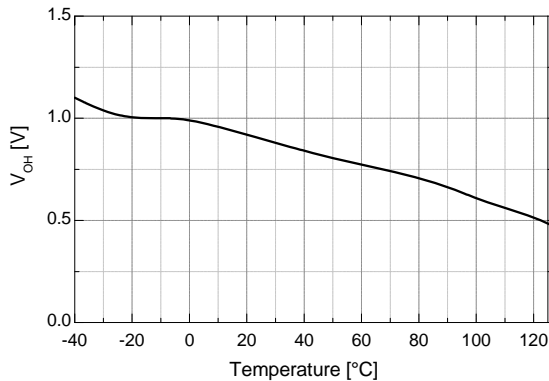


Figure 22. High-Level Output Voltage vs. Temperature

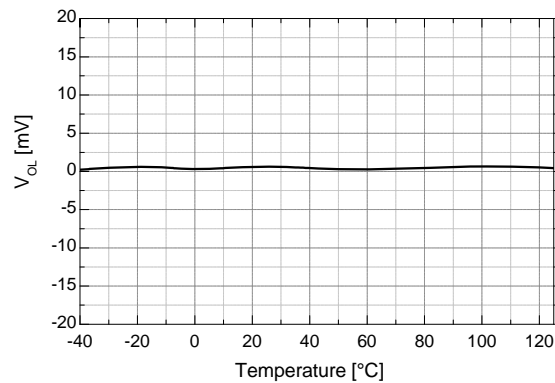


Figure 23. Low-Level Output Voltage vs. Temperature

Typical Characteristics (Continued)

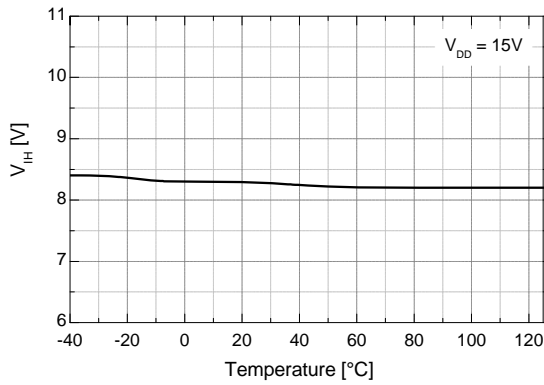


Figure 24. Logic High Input Voltage vs. Temperature

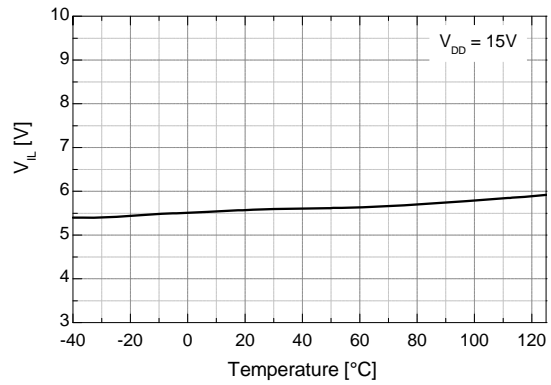


Figure 25. Logic Low Input Voltage vs. Temperature

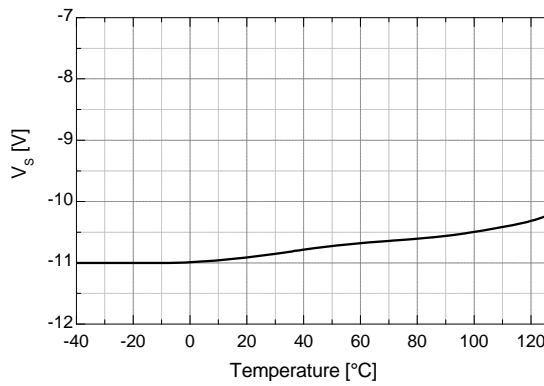


Figure 26. Allowable Negative V<sub>S</sub> Voltage vs. Temperature

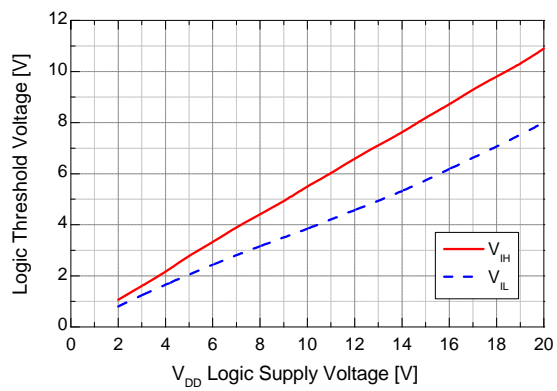


Figure 27. Input Logic (HIN & LIN) Threshold Voltage vs. V<sub>DD</sub> Supply Voltage

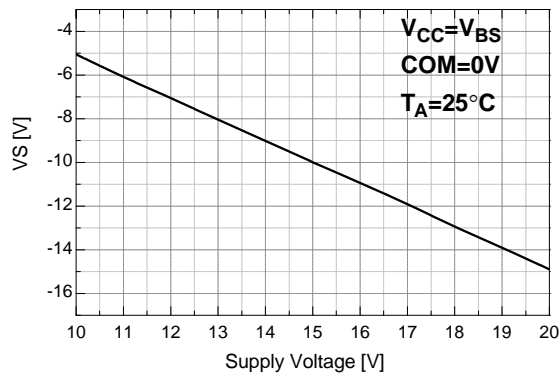


Figure 28. Allowable Negative V<sub>S</sub> Voltage for HIN Signal Propagation to High Side vs. Supply Voltage

### Switching Time Definitions

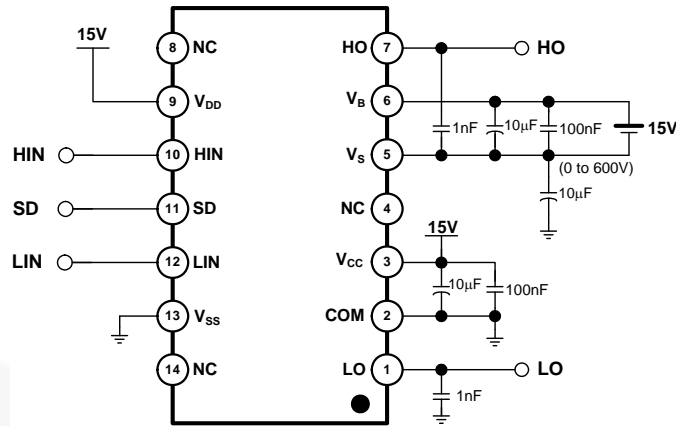


Figure 29. Switching Time Test Circuit (Referenced 14-DIP)

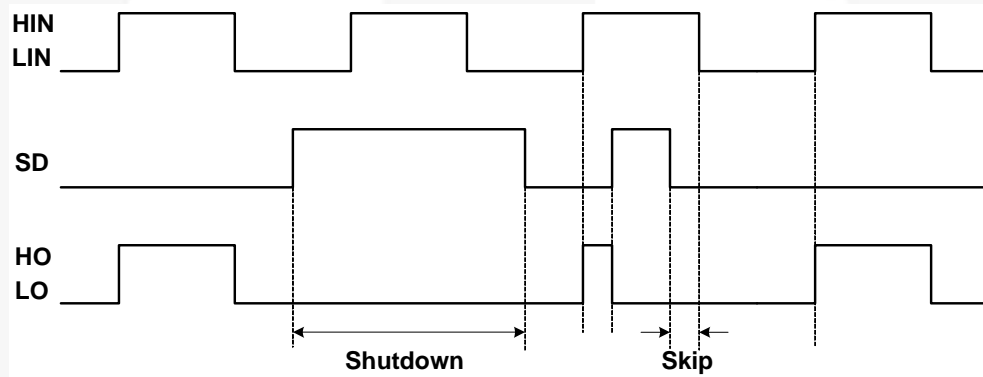


Figure 30. Input/Output Timing Diagram

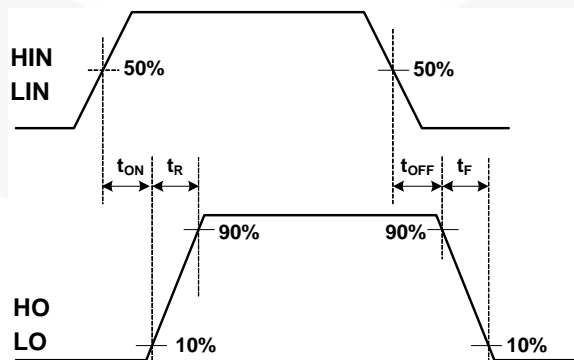


Figure 31. Switching Time Waveform Definitions

Switching Time Definitions (Continued)

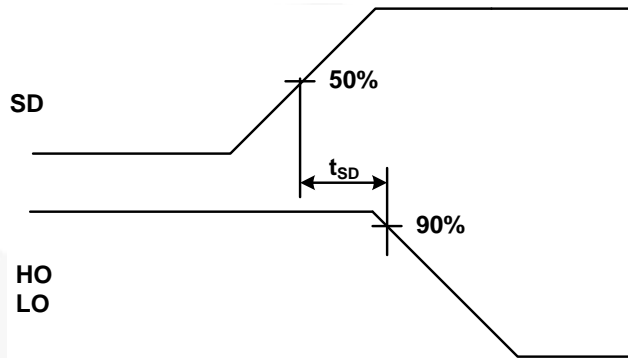


Figure 32. Shutdown Waveform Definition

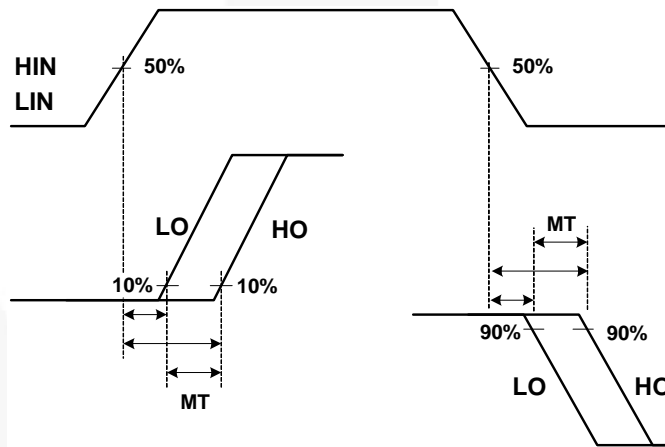


Figure 33. Delay Matching Waveform Definitions

## Application Information

### Negative $V_S$ Transient

The bootstrap circuit has the advantage of being simple and low cost, but has some limitations. The biggest difficulty with this circuit is the negative voltage present at the emitter of the high-side switching device when high-side switch is turned-off in half-bridge application.

If the high-side switch, Q1, turns-off while the load current is flowing to an inductive load, a current commutation occurs from high-side switch, Q1, to the diode, D2, in parallel with the low-side switch of the same inverter leg. Then the negative voltage present at the emitter of the high-side switching device, just before the freewheeling diode, D2, starts clamping, causes load current to suddenly flow to the low-side freewheeling diode, D2, as shown in Figure 34.

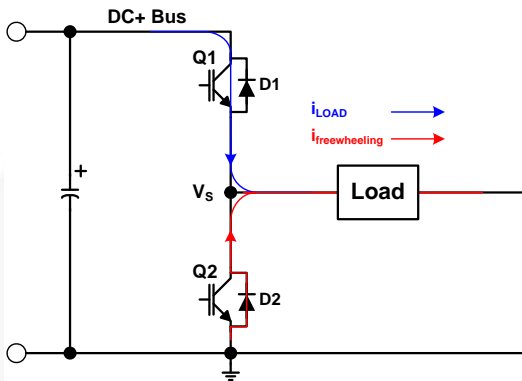


Figure 34. Half-Bridge Application Circuits

This negative voltage can be trouble for the gate driver's output stage, there is the possibility to develop an over-voltage condition of the bootstrap capacitor, input signal missing and latch-up problems because it directly affects the source  $V_S$  pin of the gate driver, as shown in Figure 35. This undershoot voltage is called "negative  $V_S$  transient".

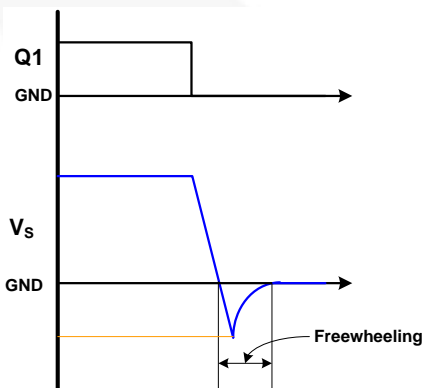


Figure 35.  $V_S$  Waveforms During Q1 Turn-Off

Figure 36 and Figure 37 show the commutation of the load current between high-side switch, Q1, and low-side freewheeling diode, D3, in same inverter leg. The parasitic inductances in the inverter circuit from the die wire bonding to the PCB tracks are jumped together in  $L_C$  and  $L_E$  for each IGBT. When the high-side switch, Q1, and low-side switch, Q4, are turned on, the  $V_{S1}$  node is below DC+ voltage by the voltage drops associated with the power switch and the parasitic inductances of the circuit due to load current is flows from Q1 and Q4, as shown in Figure 36. When the high-side switch, Q1, is turned off and Q4, remained turned on, the load current to flows the low-side freewheeling diode, D3, due to the inductive load connected to  $V_{S1}$  as shown in Figure 37. The current flows from ground (which is connected to the COM pin of the gate driver) to the load and the negative voltage present at the emitter of the high-side switching device.

In this case, the COM pin of the gate driver is at a higher potential than the  $V_S$  pin due to the voltage drops associated with freewheeling diode, D3, and parasitic elements,  $L_{C3}$  and  $L_{E3}$ .

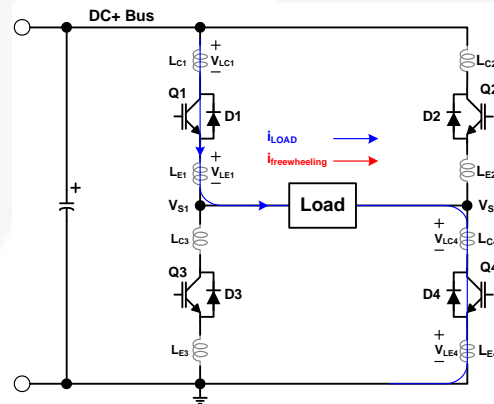


Figure 36. Q1 and Q4 Turn-On

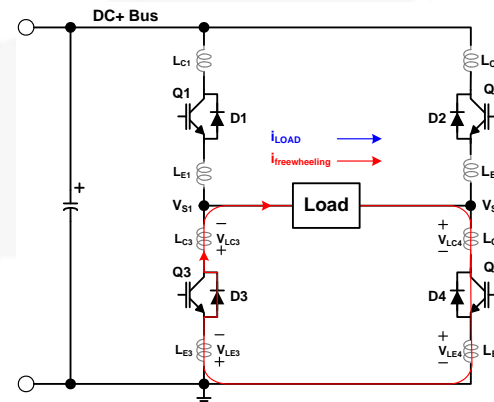


Figure 37. Q1 Turn-Off and D3 Conducting

The FAN7392 has a negative  $V_S$  transient performance curve, as shown in Figure 38.

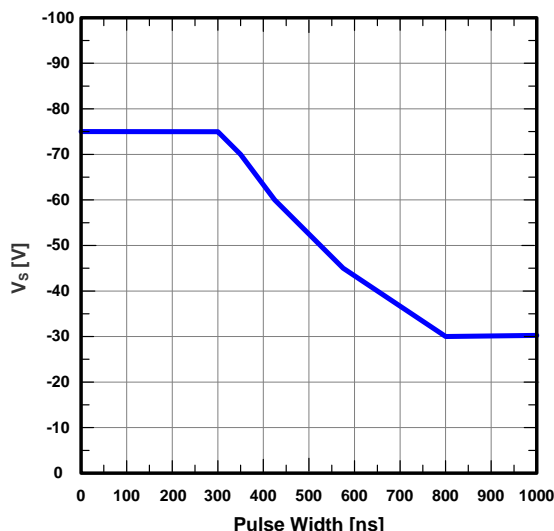


Figure 38. Negative  $V_S$  Transient Characteristic

Even though the FAN7392 has been shown able to handle these negative  $V_S$  transient conditions, it is strongly recommended that the circuit designer limit the negative  $V_S$  transient as much as possible by careful PCB layout to minimize the value of parasitic elements and component use. The amplitude of negative  $V_S$  voltage is proportional to the parasitic inductances and the turn-off speed,  $di/dt$ , of the switching device.

## General Guidelines

### Printed Circuit Board Layout

The layout recommended for minimized parasitic elements is as follows:

- Direct tracks between switches with no loops or deviation.
- Avoid interconnect links. These can add significant inductance.
- Reduce the effect of lead-inductance by lowering package height above the PCB.
- Consider co-locating both power switches to reduce track length.
- To minimize noise coupling, the ground plane should not be placed under or near the high-voltage floating side.
- To reduce the EM coupling and improve the power switch turn-on/off performance, the gate drive loops must be reduced as much as possible.

## Placement of Components

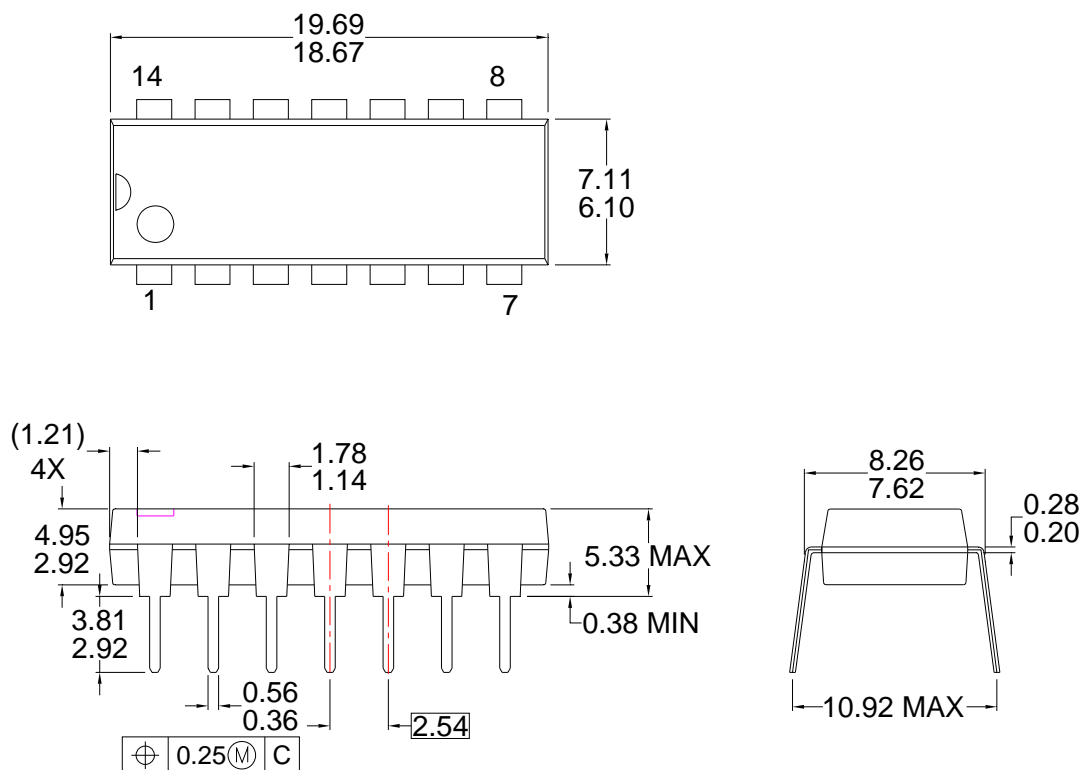
The recommended placement and selection of component as follows:

- Place a bypass capacitor between the  $V_{DD}$  and  $V_{SS}$  pins. A ceramic  $1\mu\text{F}$  capacitor is suitable for most applications. This component should be placed as close as possible to the pins to reduce parasitic elements.
- The bypass capacitor from  $V_{CC}$  to COM supports both the low-side driver and bootstrap capacitor recharge. A value at least ten times higher than the bootstrap capacitor is recommended.
- The bootstrap resistor,  $R_{BOOT}$ , must be considered in sizing the bootstrap resistance and the current developed during initial bootstrap charge. If the resistor is needed in series with the bootstrap diode, verify that  $V_B$  does not fall below COM (ground). Recommended use is typically  $5 \sim 10\Omega$  that increase the  $V_{BS}$  time constant. If the voltage drop of bootstrap resistor and diode is too high or the circuit topology does not allow a sufficient charging time, a fast recovery or ultra-fast recovery diode can be used.
- The bootstrap capacitor,  $C_{BOOT}$ , uses a low-ESR capacitor, such as ceramic capacitor.

It is strongly recommended that the placement of components is as follows:

- Place components tied to the floating voltage pins ( $V_B$  and  $V_S$ ) near the respective high-voltage portions of the device and the FAN7392. NC (not connected) pins in this package maximize the distance between the high-voltage and low-voltage pins (see Figure 5).
- Place and route for bypass capacitors and gate resistors as close as possible to gate drive IC.
- Locate the bootstrap diode,  $D_{BOOT}$ , as close as possible to bootstrap capacitor,  $C_{BOOT}$ .
- The bootstrap diode must use a lower forward voltage drop and minimal switching time as soon as possible for fast recovery or ultra-fast diode.

## Physical Dimensions



### NOTES: UNLESS OTHERWISE SPECIFIED

THIS PACKAGE CONFORMS TO

A) JEDEC MS-001 VARIATION AA

B) ALL DIMENSIONS ARE IN MILLIMETERS.

DIMENSIONS ARE EXCLUSIVE OF BURRS,  
C) MOLD FLASH, AND TIE BAR EXTRUSIONS.

D) DIMENSIONS AND TOLERANCES PER  
ASME Y14.5-1994

E) DRAWING FILE NAME: MKT-N14AREV8

Figure 39. 14-Lead Dual In-Line Package (DIP)

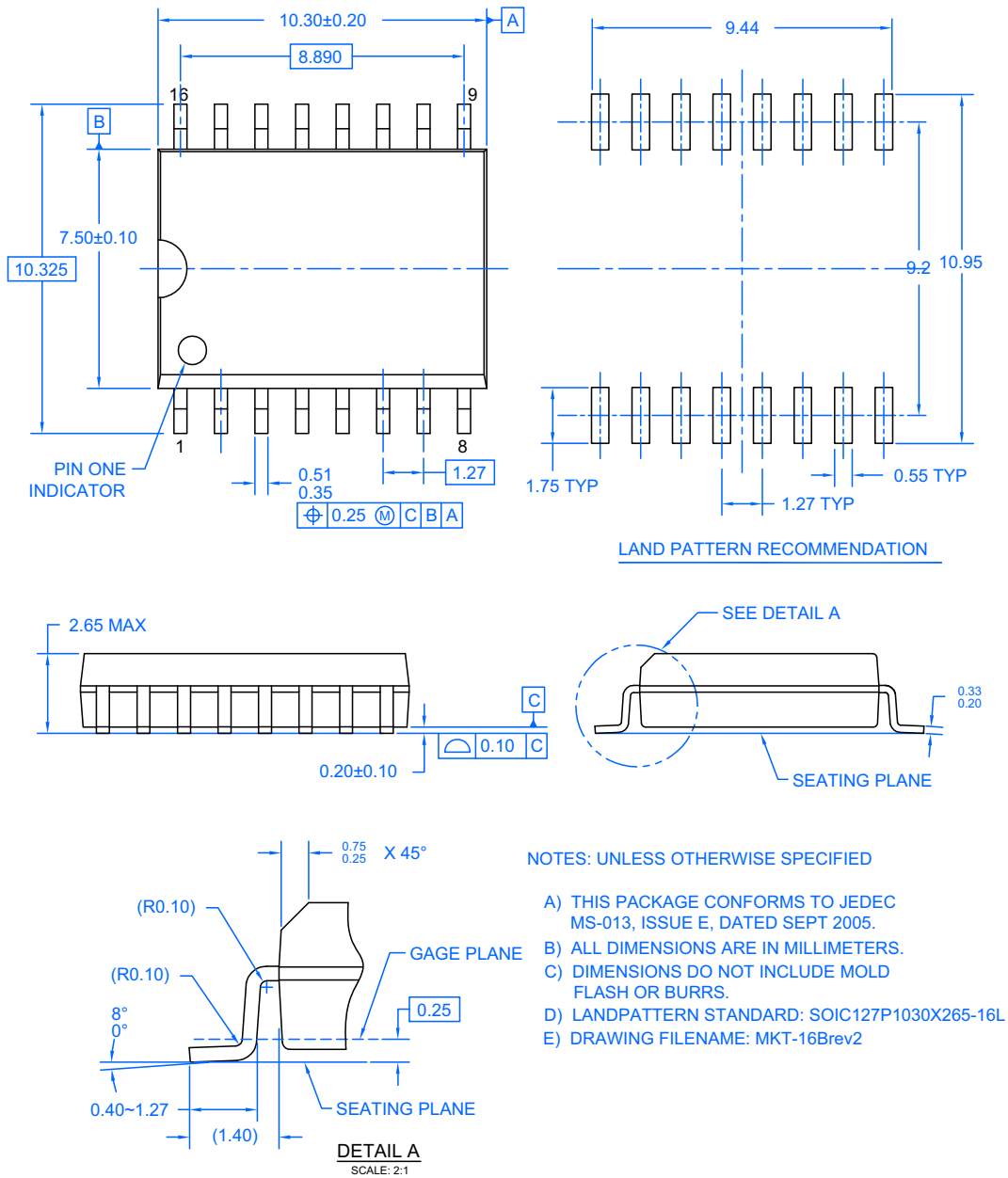
Package drawings are provided as a service to customers considering Fairchild components. Drawings may change in any manner without notice. Please note the revision and/or date on the drawing and contact a Fairchild Semiconductor representative to verify or obtain the most recent revision. Package specifications do not expand the terms of Fairchild's worldwide terms and conditions, specifically the warranty therein, which covers Fairchild products.

Always visit Fairchild Semiconductor's online packaging area for the most recent package drawings:

<http://www.fairchildsemi.com/packaging/>.



Physical Dimensions (Continued)



M16BREV2

Figure 40. 16-Lead Small Outline Package (SOP)



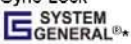
Package drawings are provided as a service to customers considering Fairchild components. Drawings may change in any manner without notice. Please note the revision and/or date on the drawing and contact a Fairchild Semiconductor representative to verify or obtain the most recent revision. Package specifications do not expand the terms of Fairchild's worldwide terms and conditions, specifically the warranty therein, which covers Fairchild products.

Always visit Fairchild Semiconductor's online packaging area for the most recent package drawings:  
<http://www.fairchildsemi.com/packaging/>



**TRADEMARKS**

The following includes registered and unregistered trademarks and service marks, owned by Fairchild Semiconductor and/or its global subsidiaries, and is not intended to be an exhaustive list of all such trademarks.

- |   |  |   |   |
|---|--|---|---|
| 2Cool™  | F-PFS™   | PowerTrench®  | The Power Franchise®  |
| AccuPower™  | FRFET®   | PowerXS™  | the power franchise   |
| AX-CAP™*  | Global Power Resource™                         | Programmable Active Droop™  | TinyBoost™  |
| BitSiC™   | GreenBridge™                                   | QFET®   | TinyBuck™   |
| Build it Now™   | Green FPS™                                     | QS™   | TinyCalc™   |
| CorePLUS™   | Green FPS™ e-Series™                           | Quiet Series™   | TinyLogic®  |
| CorePOWER™  | Gmax™  | RapidConfigure™   | TINYOPTO™   |
| CROSSVOLT™  | GTO™   |  | TinyPower™  |
| CTL™  | IntelliMAX™                                    | Saving our world, 1mW/WkW at a time™  | TinyPWM™  |
| Current Transfer Logic™   | ISOPLANAR™                                     | SignalWise™   | TinyWire™   |
| DEUXPEED®   | Making Small Speakers Sound Louder and Better™ | SmartMax™   | TranSiC™  |
| Dual Cool™  | MegaBuck™                                      | SMART START™  | TriFault Detect™  |
| EcoSPARK®   | MICROCOUPLER™                                  | Solutions for Your Success™   | TRUECURRENT®*   |
| EfficientMax™   | MicroFET™                                      | SPM®  | µSerDes™  |
| ESBC™   | MicroPak™                                      | STEALTH™  |  |
|  | MicroPak2™                                     | SuperFET®   | UHC®  |
| Fairchild®  | MillerDrive™                                   | SuperSOT™-3   | Ultra FRFET™  |
| Fairchild Semiconductor®  | MotionMax™                                     | SuperSOT™-6   | UniFET™   |
| FACT Quiet Series™  | mWSaver™                                       | SuperSOT™-8   | VCX™  |
| FACT®   | OptoHiT™                                       | SupreMOS®   | VisualMax™  |
| FAST®   | OPTOLOGIC®                                     | SyncFET™  | VoltagePlus™  |
| FastvCore™  | OPTOPLANAR®                                    | Sync-Lock™  | XS™   |
| FETBench™   |  |  |   |
| FlashWriter®*   |  |   |   |
| FPS™  |  |   |   |

\* Trademarks of System General Corporation, used under license by Fairchild Semiconductor.

**DISCLAIMER**

FAIRCHILD SEMICONDUCTOR RESERVES THE RIGHT TO MAKE CHANGES WITHOUT FURTHER NOTICE TO ANY PRODUCTS HEREIN TO IMPROVE RELIABILITY, FUNCTION, OR DESIGN. FAIRCHILD DOES NOT ASSUME ANY LIABILITY ARISING OUT OF THE APPLICATION OR USE OF ANY PRODUCT OR CIRCUIT DESCRIBED HEREIN; NEITHER DOES IT CONVEY ANY LICENSE UNDER ITS PATENT RIGHTS, NOR THE RIGHTS OF OTHERS. THESE SPECIFICATIONS DO NOT EXPAND THE TERMS OF FAIRCHILD'S WORLDWIDE TERMS AND CONDITIONS, SPECIFICALLY THE WARRANTY THEREIN, WHICH COVERS THESE PRODUCTS.

**LIFE SUPPORT POLICY**

FAIRCHILD'S PRODUCTS ARE NOT AUTHORIZED FOR USE AS CRITICAL COMPONENTS IN LIFE SUPPORT DEVICES OR SYSTEMS WITHOUT THE EXPRESS WRITTEN APPROVAL OF FAIRCHILD SEMICONDUCTOR CORPORATION.

As used herein:

1. Life support devices or systems are devices or systems which, (a) are intended for surgical implant into the body or (b) support or sustain life, and (c) whose failure to perform when properly used in accordance with instructions for use provided in the labeling, can be reasonably expected to result in a significant injury of the user.
2. A critical component in any component of a life support, device, or system whose failure to perform can be reasonably expected to cause the failure of the life support device or system, or to affect its safety or effectiveness.

**ANTI-COUNTERFEITING POLICY**

Fairchild Semiconductor Corporation's Anti-Counterfeiting Policy. Fairchild's Anti-Counterfeiting Policy is also stated on our external website, [www.fairchildsemi.com](http://www.fairchildsemi.com), under Sales Support.

Counterfeiting of semiconductor parts is a growing problem in the industry. All manufacturers of semiconductor products are experiencing counterfeiting of their parts. Customers who inadvertently purchase counterfeit parts experience many problems such as loss of brand reputation, substandard performance, failed applications, and increased cost of production and manufacturing delays. Fairchild is taking strong measures to protect ourselves and our customers from the proliferation of counterfeit parts. Fairchild strongly encourages customers to purchase Fairchild parts either directly from Fairchild or from Authorized Fairchild Distributors who are listed by country on our web page cited above. Products customers buy either from Fairchild directly or from Authorized Fairchild Distributors are genuine parts, have full traceability, meet Fairchild's quality standards for handling and storage and provide access to Fairchild's full range of up-to-date technical and product information. Fairchild and our Authorized Distributors will stand behind all warranties and will appropriately address any warranty issues that may arise. Fairchild will not provide any warranty coverage or other assistance for parts bought from Unauthorized Sources. Fairchild is committed to combat this global problem and encourage our customers to do their part in stopping this practice by buying direct or from authorized distributors.

**PRODUCT STATUS DEFINITIONS**

**Definition of Terms**

Datasheet Identification	Product Status	Definition
Advance Information	Formative / In Design	Datasheet contains the design specifications for product development. Specifications may change in any manner without notice.
Preliminary	First Production	Datasheet contains preliminary data; supplementary data will be published at a later date. Fairchild Semiconductor reserves the right to make changes at any time without notice to improve design.
No Identification Needed	Full Production	Datasheet contains final specifications. Fairchild Semiconductor reserves the right to make changes at any time without notice to improve the design.
Obsolete	Not In Production	Datasheet contains specifications on a product that is discontinued by Fairchild Semiconductor. The datasheet is for reference information only.

Rev. I62